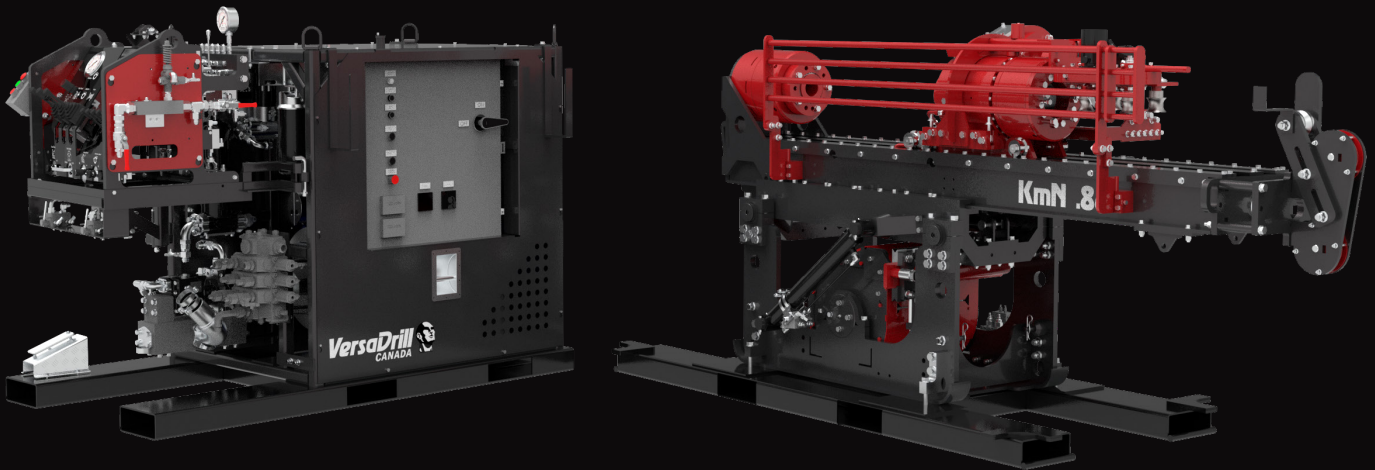


KmN.8u

Power, strength
and reduced weight.



SPECIFICATIONS

Rotary head and chuck	
Holding capacity	28,000 lb (12,700 kg)
Spindle interior dimension	4.9" (124 mm) PWL Rod
Chuck operation	Spring closed and hydraulically opened
Final drive	HV 60-2 chain in an oil bath
Hydraulic Motor	80 cc variable
Transmission	HI-LO 2 speed mechanic
Rotary Head Ratio	1:2
Lubrication	Pump pressurized, filter and cooler
Speed	0 to 1,300 RPM

FEATURES AND BENEFITS

- Underground (also available in surface version)
- Heliportable
- Made of steel
- Depth capacity:
800 m (2,625 ft) N size
- Total weight in underground configuration:
11,486 lb (5,210 kg)

Filtration

10 micron absolute filter on return line (2)
High pressure filter (2)
One strainer inside the hydraulic tank connected to the suction (2)

Hydraulic module

Floating rotary head - Torque limit on rotary head	
Hydraulic pumps (2)	188 l/min (47 US gal/min) @ 1 800 RPM (max. 4 000 psi (275 bar)) 136 l/min (36 US gal/min) @ 1 800 RPM (max. 4 000 psi (275 bar))
System drive	Open loop, Load-sensing circuit
Hydraulic pressurized tank	55 US gal (208 l)
Oil heat exchanger	Water cooling (Air cooler optional)

Weight

Electric power unit	2 072 lb (940 kg)
Diesel power unit	1 400 lb (635 kg)
Hydraulic pump and tank	1 550 lb (703 kg) wet
Control panel	672 lb (305 kg)
Drill head	628 lb (285 kg)
Drill head hydraulic motor	70 lb (32 kg)
Drill head transmission	85 lb (39 kg)
Rod holder	254 lb (115 kg)
Feed frame assy	575 lbs. (261 kg)
(extension and pulley included)	2 568 lb (1165 kg)
Mast base	2 127 lb (965 kg)
Wireline hoist	460 lb (454 kg)
Hydraulic hoses	1 000 lb (454 kg)
Surface mast	1 000 lb (454 kg)

Drilling capacity

*Dimension recommended for maximum performance	*B 2 3/16" (55,6 mm)	3 600 ft (1100 m)
	*N 2 3/4" (69,9 mm)	2 625 ft (800 m)
	*H 3 1/2" (88,9 mm)	1 310 ft (400 m)
	P 4 5/8" (117,5 mm)	820 ft (250 m)

Drilling capacity

Drilling capacity is calculated on a 90 degree down hole and will depend on in-hole tools, ground conditions, drilling techniques and equipment used.

Recommended electric engine: 100 HP (75 Kw) at 1 800 RPM
Recommended diesel engine: 155 HP (157 Kw) at 2 100 RPM

Feed frame

Head stroke	5 ft 6 in (1,68 m)
Raising speed	200 ft/min (61 m/min)
Lowering speed	200 ft/min (61 m/min)
Pull capacity	18 000 lb (8 300 kg) @ 4 000 psi
Push capacity	18 000 lb (8 300 kg) @ 4 000 psi
Possible angle (Underground version)	-90 to 90 degrees
Possible angle (Surface version)	0 to -90 degrees

Surface mast

Pull speed	220 ft/min (67 m/min)
Speed of descent	370 ft/min (113 m/min)
Single line pull capacity	10 000 lb (4 500 kg) @ 4 000 psi
Rod pull length	10 ft (3 m)

2-Speed transmission

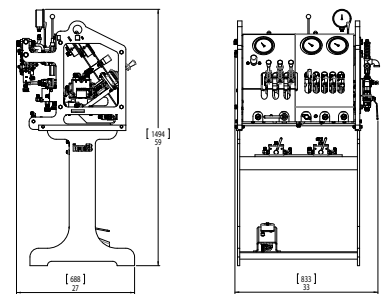
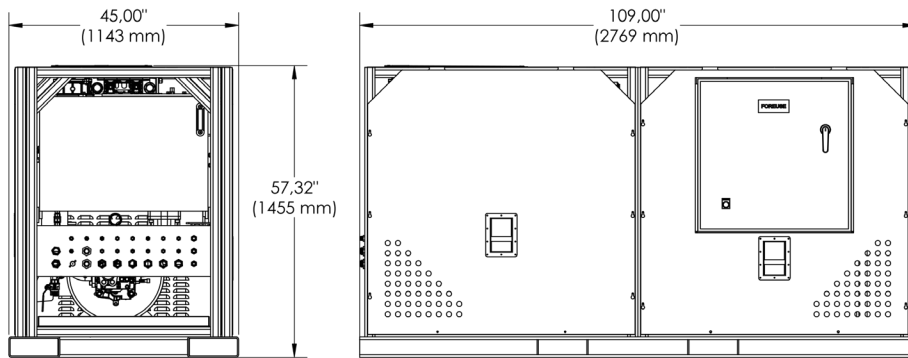
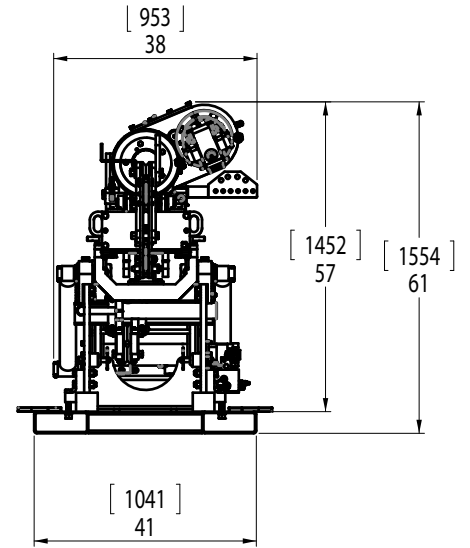
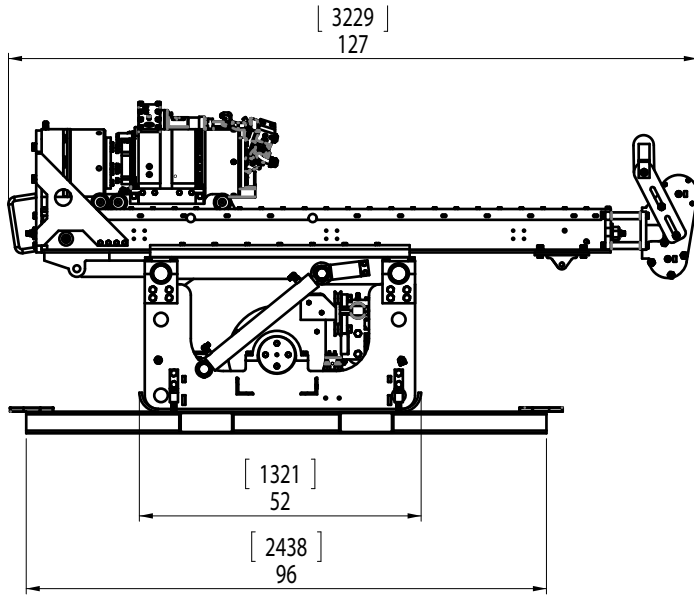
Speed	Ratio	RPM	Maximum Torque
LO	3.46:1	0-361	2 098 lb*ft (2 840 N*m) @ 361 RPM
HI	1:1	0-1 300	606 lb*ft (820 N*m) @ 1 300 RPM

Speed and torque based on a 80 cc hydraulic motor at 4 000 psi (275 bar)

Wireline hoist

Cable capacity (3/16 in - 4.8 mm)	3 000 ft (915 m)
Empty Pull capacity	2 000 lb (907 kg)
Full Pull capacity	650 lb (295 kg)
Variable speed as needed	

DIMENSIONS



STRONGER AND STRONGER

Distributor:



110 Jacques-Bibeau St., Rouyn-Noranda, QC J9Y 0A3, Canada

1 819 762-9645 info@mbiglobal.ca